

WPC 918



System

| | |
|---------------|---|
| - CPU | Intel® 7th & 6th Gen Core™ i processor (LGA1151) i7-6700TE/i5-6500TE/Pentium 4400TE |
| - Chipset | Intel Q170 |
| - Memory type | Dual Channel DDR4 2133MHz SDRAM MAX 32GB |
| - Ethernet | GbE LAN1: Intel i219LM; LAN2: Intel i211AT |

I/O

| | |
|--------------------|--|
| - Serial ports | 1 x RS232, 1 x RS232/422/485 |
| - USB ports | 4 USB 3.0 + 2 USB 2.0 (optional) |
| - Audio | 3 (Mic-in, Line-out, Line-in) |
| - Video input | 1 VGA - 1 HDMI - 1 DP |
| - Ethernet | 2 x RJ45 |
| - Power connection | 1 x 4 pin DC terminal block 1 x 2 pin remote power switch 2 x LED light for power and HDD indication |

Storage Space

| | |
|-------------|---|
| - HDD | 2 x 2,5" SATA3 (Support RAID 0,1) easily accessible design |
| - Mini-PCIe | 1 x mSATA slot (full-size) |
| - M2 | B key for SSD and 3G supported (type: 2242 ,2280mm) |

Expansion Slot

| | |
|------------|--|
| -Mini-PCIe | 1, F/S Mini-PCIe slot (with mSATA supported) |
| -PCIe | 2 PCIe 8X or 3 PCI (optional) |

Environment

| | |
|-----------------------|------------------------------------|
| Operating temperature | 0 __ 50 °C |
| Storage temperature | -30 __ 70 °C |
| Storage humidity | 10 to 90% @ 40 °C - non condensing |
| Certification | CE |

Display

| | |
|----------------------|------------------------------|
| - Display type | 18,5" TFT-LCD |
| - Max. resolution | 1920 x 1080 |
| - Max. color | 16,7 M |
| - Luminance (cd/m2) | 400 |
| - View angle (H°/V°) | 85 __ 85 (H) 85 __ 85 (V) |
| - Contrast | 1500 : 1 |

Touch Screen

| | |
|----------------------|-------------------------|
| - Type | Project capacitive |
| - Interface | USB |
| - Light transmission | Project capacitive: 90% |

Mechanical

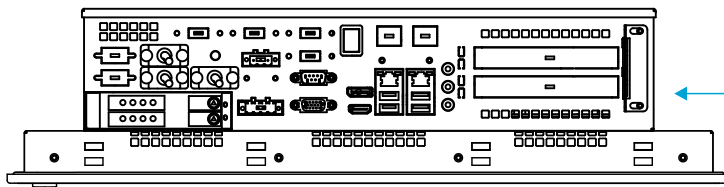
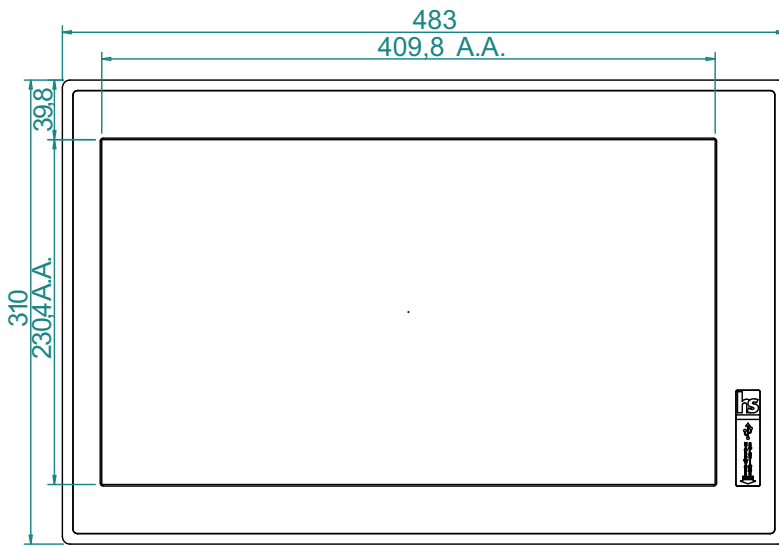
| | |
|------------------|---|
| - Construction | Aluminum front bezel optional INOX 316 |
| - IP Rating | Front bezel IP66 |
| - Mounting | Panel mounting |
| - Dimension (mm) | 483 x 310 x 120 |
| - Net weight | - |

Supported Operating System

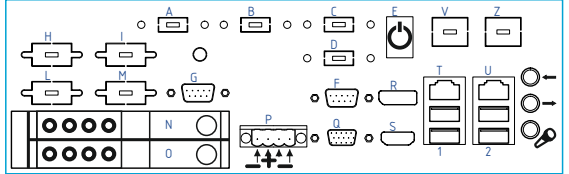
| |
|--|
| - Windows 7 Professional (32/64bit) |
| - Windows 7 Ultimate (32/64bit) |
| - Windows 7 Embedded (32/64bit) |
| - Windows 10 IoT Enterprise (32/64bit) |
| - Linux |

Technical Features

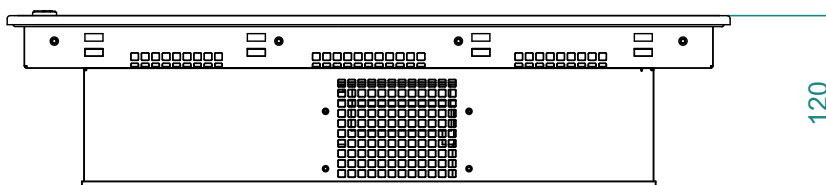
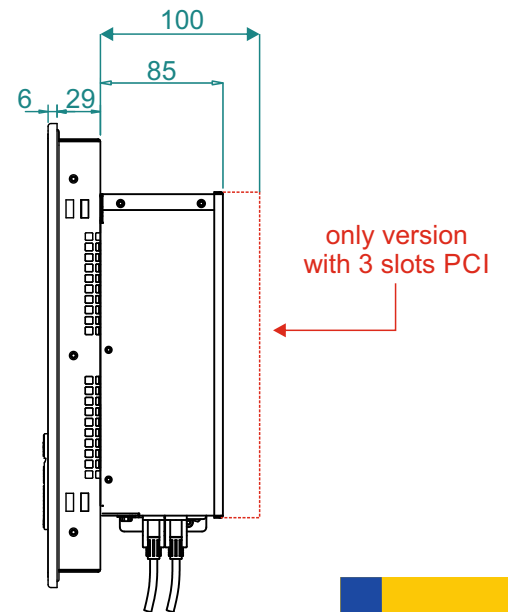
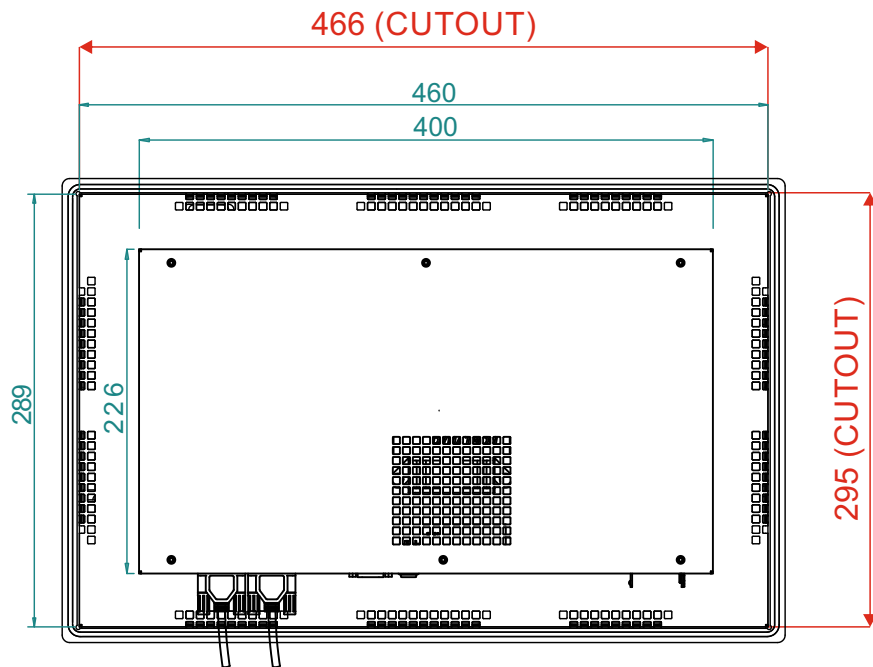
| |
|--|
| - It can support two different TFT with full HD or HD resolution |
|--|



Legenda



- A/B/C/D: USB 2.0 (opt)
- E: POWER BUTTON
- F: COM 1
- G: COM 2
- H: COM 3 (opt)
- I: COM 4 (opt)
- L: COM 5 (opt)
- M: COM 6 (opt)
- N: HD 1
- O: HD 2
- P: DC INPUT 12-24V
- Q: VGA
- R: DP1++
- S: HDMI
- T: ETH 1
- U: ETH 2
- V: ETH 3
- Z: ETH 4
- 1: USB 3.0 1-2
- 2: USB 3.0 3-4



unit: mm

